

AXOR ShowerSolutions
Handshower Holder with Outlet softsquare
 Finish: **chrome** Part no. : **11626001**



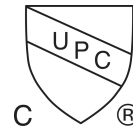
Features

- For all 1/2" hoses
- Metal housing with internal water supply made of plastic
- 1/2" NPT
- For shower hoses with a conical nut

Item details

List Price \$ 321.00

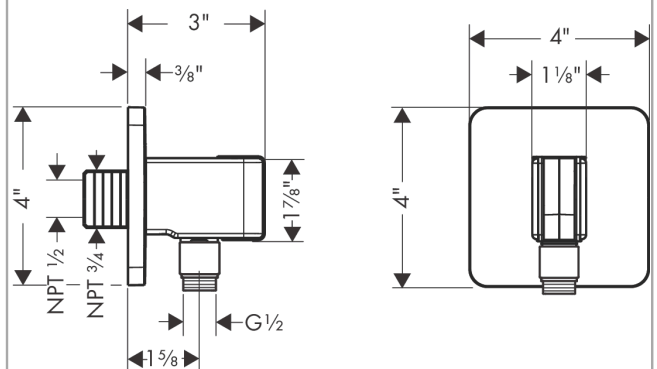
Compliance / Sustainability



Product image



Scale drawing

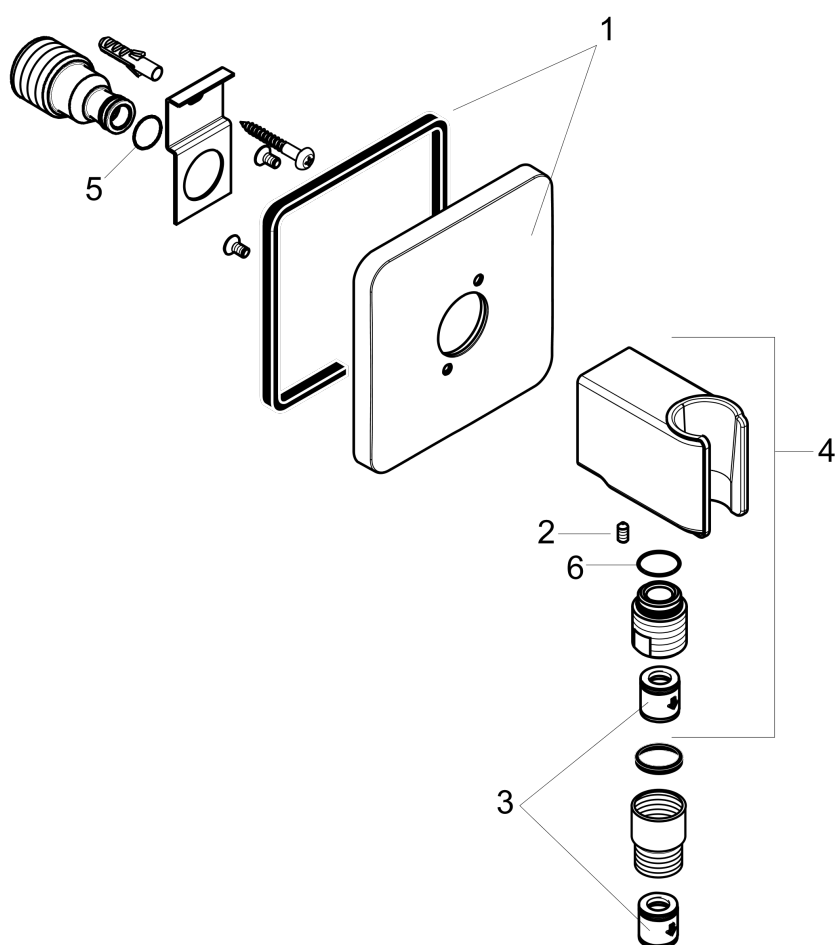


AXOR ShowerSolutions
Handshower Holder with Outlet softsquare
Finish: **chrome** Part no. : **11626001**



Exploded drawing

Year of production: >01/11



AXOR ShowerSolutions
Handshower Holder with Outlet softsquare
 Finish: **chrome** Part no. : **11626001**



Spare parts list

Year of production: >01/11

Pos.		Part no.	Price	PU
1	escutcheon	95186000	-	1
2	hollow set screw M4x8	97669000	-	1
3	set of non return valves DW 15	94074000	-	1
4	shower holder	95187000	-	1
5	O-ring 11x2	98127000	-	1
6	O-ring 14x2	98129000	-	1
a	guide	92858000	-	1